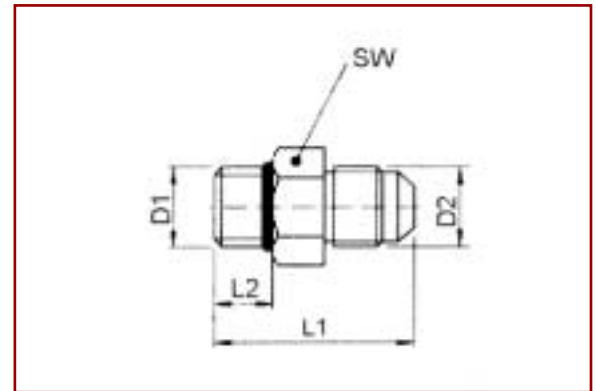


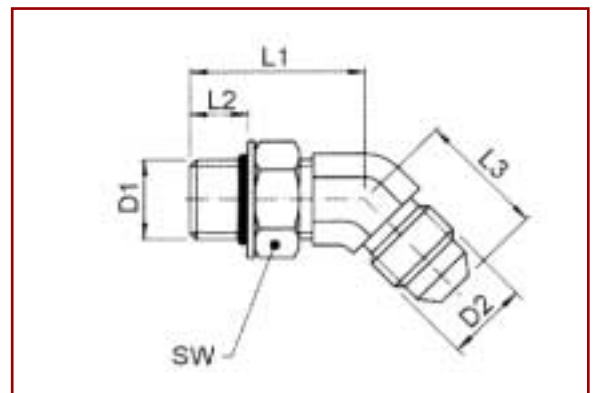
### Male stud coupling type GEV...

article-No.	D1 thread	D2 thread	SW mm	L1 mm	L2 mm
GEV-18-1220	G1/8"	7/16"-20	14	30,0	8,0
GEV-14-1220	G1/4"	1/2"-20	19	37,8	12,0
GEV-38-3416	G3/8"	1/2"-16	22	38,5	12,0
GEV-716-1220	7/16"-20	7/16"-20	14	31,2	9,2
GEV-1220-1220	1/2"-20	1/2"-20	16	31,2	9,2



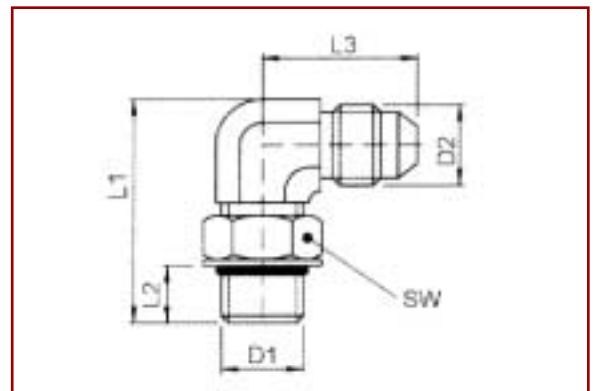
### Male stud elbow 45° type WEV-45

article-No.	D1 thread	D2 thread	SW mm	L1 mm	L2 mm	L3 mm
WEV-45-18-1220	G1/8"	7/16"-20	14	26,7	8,0	18,3
WEV-45-14-1220	G1/4"	1/2"-20	19	29,0	12,0	20,8
WEV-45-38-3416	G3/8"	1/2"-16	22	33,0	12,0	24,9
WEV-45-716-1220	7/16"-20	7/16"-20	14	26,7	9,2	18,3
WEV-45-1220-1220	1/2"-20	1/2"-20	17	26,7	9,2	19,6



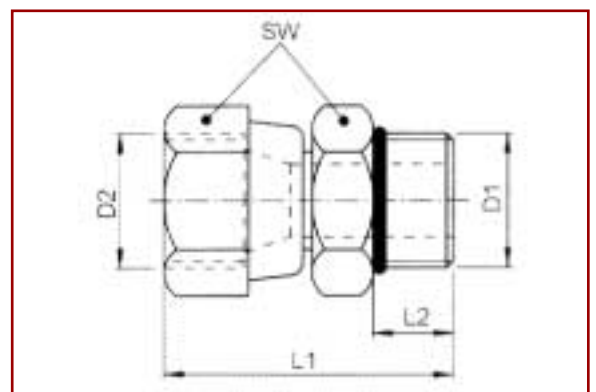
### Male stud elbow 90° type WEV-90

article-No.	D1 thread	D2 thread	SW mm	L1 mm	L2 mm	L3 mm
WEV-90-18-1220	G1/8"	7/16"-20	14	26,2	8,0	22,6
WEV-90-14-1220	G1/4"	1/2"-20	19	31,8	12,0	26,6
WEV-90-38-3416	G3/8"	1/2"-16	22	36,8	12,0	31,8
WEV-90-716-1220	7/16"-20	7/16"-20	14	26,2	9,2	22,6
WEV-90-1220-1220	1/2"-20	1/2"-20	16	27,7	9,2	24,1



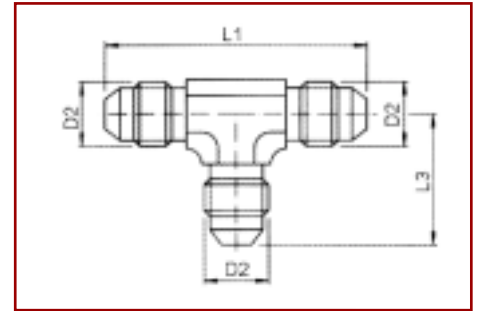
### Male stud coupling type GEA-E..

article-No.	D1 thread	D2 thread	SW mm	L1 mm	L2 mm
GEA-E-18-1220	G1/8"	7/16"-20	14	30,0	8,0
GEA-E -14-1220	G1/4"	1/2"-20	19	37,8	12,0
GEA-E -38-3416	G3/8"	1/2"-16	22	38,5	12,0
GEA-E -716-1220	7/16"-20	7/16"-20	14	31,2	9,2
GEA-E -1220-1220	1/2"-20	1/2"-20	16	31,2	9,2



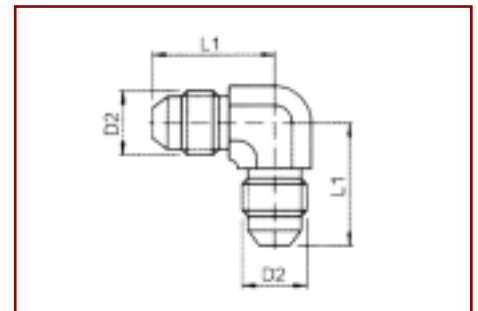
### Equal tee type TV-...

article-No.	D2 thread	L1 mm	L2 mm
TV-18-1220	7/16"-20	45,2	22,6
TV-14-1220	1/2"-20	48,2	24,1
TV-38-3416	1/2"-16	63,6	31,8



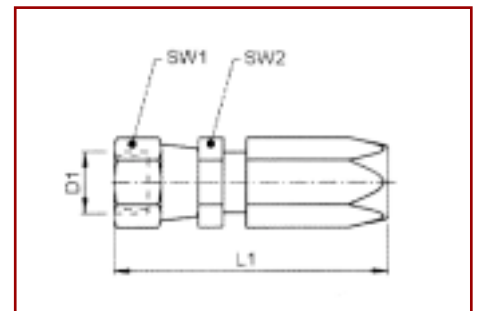
### Equal elbow 90° type WV-90...

article-No.	D2 thread	L2 mm
WV-90-716	7/16"-20	22,6
WV-90-1220	1/2"-20	24,1
WV-90-3416	1/2"-16	31,8



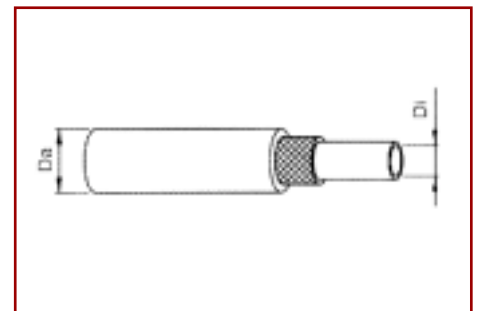
### Hose connector type SVSA-G-...

article-No.	D1 hose	D2 thread	SW1 mm	SW1 mm	L1 mm
SVSA-G-716	4,8	7/16"-20	14	16	54,0
SVSA-G-1220	6,3	1/2"-20	16	16	56,5
SVSA-G-3416	9,5	1/2"-16	22	19	73,0



### High-pressure hose type HDSSL-P-...

article-No.	Di mm innen	Da mm aussen	working pressure max.	bursting pressure min.
HDSSL-P-48-716	4,8	10,9	210 bar	840 bar
HDSSL-P-63-1220	6,3	11,9	190 bar	760 bar
HDSSL-P-95-3416	9,5	16,0	155 bar	630 bar



### Bursting disk type HDB-...

article-No.	D1	L1 mm	L2 mm	SW mm
HDB-N-1/4-150	G1/4"	18	10	17
HDB-N-1/4-250	G1/4"	18	10	17

