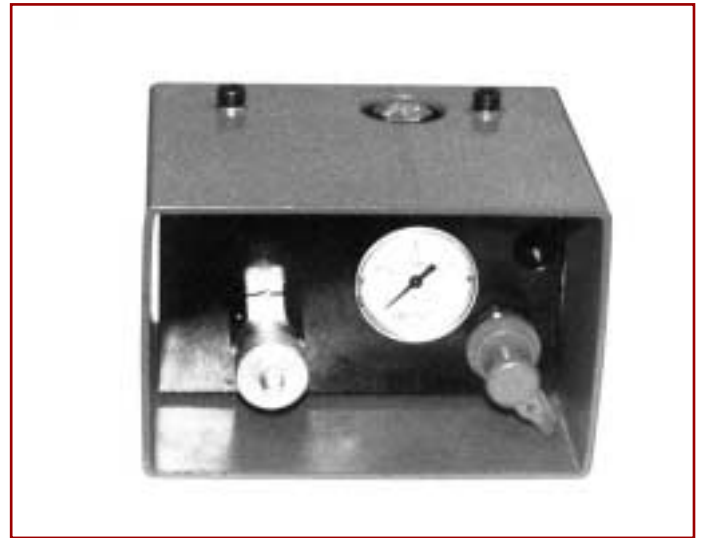


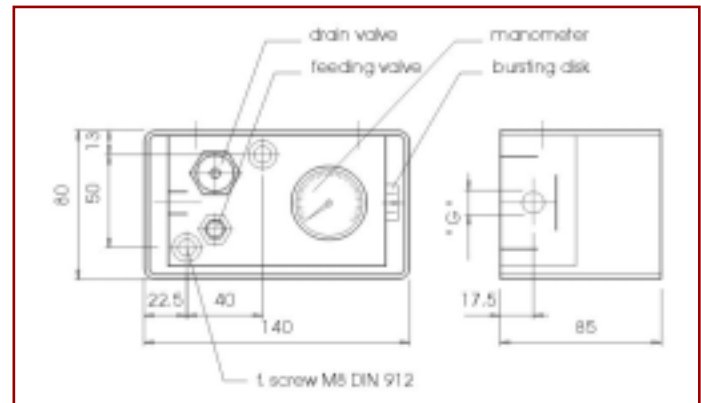
The control instruments are used for the NSP-SPRING-PACKS product line „STANDARD“ and the NSR-SPRING-RAILS product line „STANDARD“. They serve to read and adjust pressure, to fill in nitrogen and to remove pressure out of the system. The control instrument KA-250-N/ZA is additionally equipped with a internal storing tank. This enables the connection of single smaller springs of product line “STANDARD” without the need of adding an additional external storing tank.



Control instrument KA-150-N

max. adm. working pressure 150 bar!
bursting disk security 180 bar!

G	article-No.
G 1/4"	KA-150-N-G1/4"
G 3/8"	KA-150-N-G3/8"
1/2"-20 UNF	KA-150-N-1/2"-20

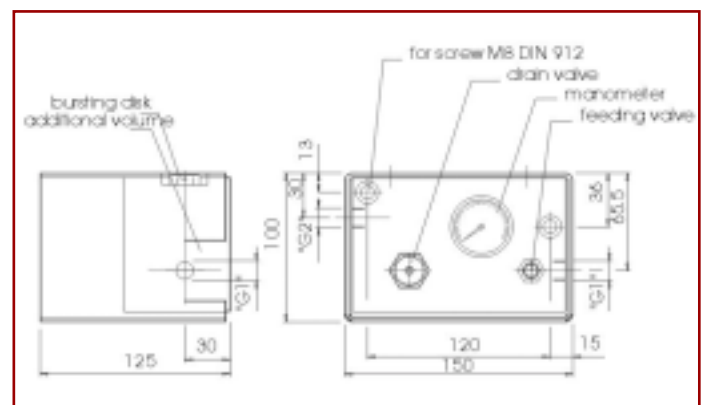


Control instrument KA-250-N/ZA

with additional volume
V=0,125l

max. adm. working pressure 250 bar!
bursting disk security 290 bar!

G1/G2	article-No.
G 1/4"	KA-250-N/ZA-G1/4"
G 3/8"/G 1/4"	KA-250-N/ZA-G3/8"
1/2"-20 UNF	KA-250-N/ZA-1/2"-20





■ **example 1**

length:	307 mm
w idth:	173 mm
solid height:	108 mm
stroke:	25 mm
filling pressure:	150 bar
load at start position of piston stroke:	117,80 kn
load at end position of piston stroke:	142,10 kn



■ **example 2**

length:	190 mm
w idth:	140 mm
solid height:	106 mm
stroke:	50 mm
filling pressure:	150 bar
load at start position of piston stroke:	44,30 kn
load at end position of piston stroke:	56,00 kn



■ **example 3**

length:	480 mm
w idth:	165 mm
solid height:	108 mm
stroke:	50 mm
filling pressure:	150 bar
load at start position of piston stroke:	220,90 kn
load at end position of piston stroke:	301,70 kn